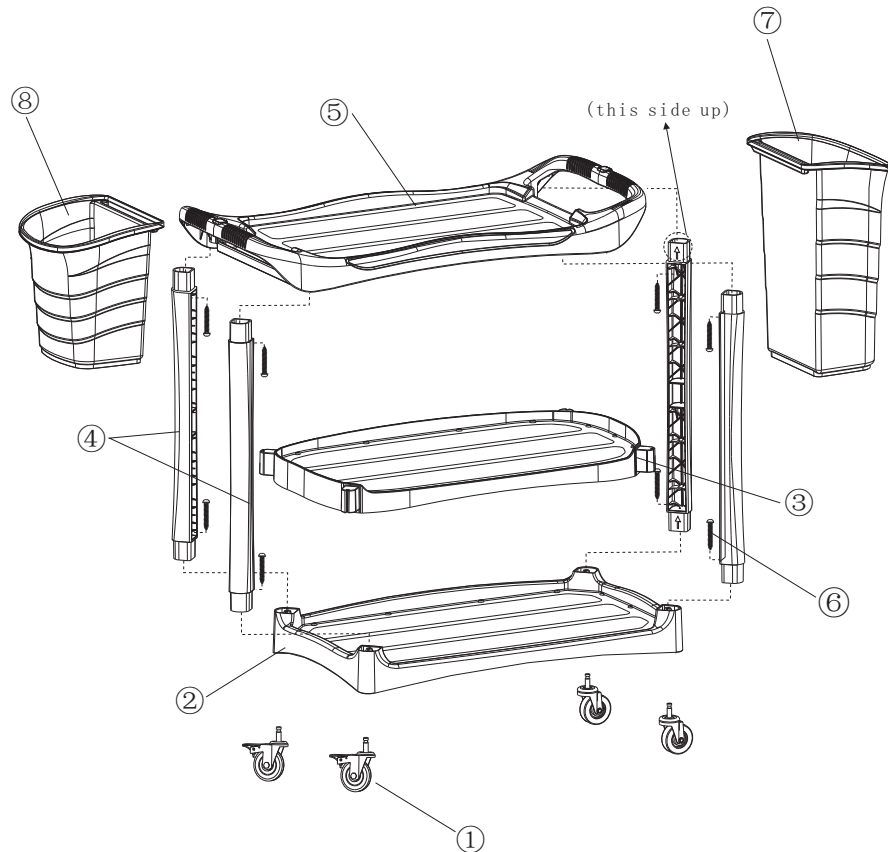


722495B

Utility Cart Assembly Instruction



step 1: Fit the wheels① into base tray② as the sketch shown.

step 2: Fit the middle tray③ into the buckles at the middle position of the pillars④.

step 3: Fit the subassembly of middle tray and pillars into base tray. (Notes: The Direction of the protruding spot on the right surface of the Middle tray and Base Tray should be the same)

step 4: Take out the top tray⑤ and fit it onto the upside of pillars.

(Notes: Tendon gap of the Top base and the Protruding spot are at the same side.)

step 5: Fix the parts with screws⑥ as the sketch shown.

Step 6 : the AF08179A/AF08179A-H (With the big size collecting bucket ⑦ and the small size collecting bucket ⑧), hanging them on the flute groove of each side of the Top Tray.